

# Sectie 7

## Verwarmingstoestellen en gasketels

**Gasheaters**  
**Warmtepompen**  
**Warmtewisselaars**  
**Electrische verwarming**  
**Accessoires**



## SPECIFICATIES - SPECIFICATIONS

**DURA 3/6**



**DURA 8/12**



**DURA 17**



**DURA 21/21T/25T**



Model		DURA 3	DURA 6	DURA 8	DURA 12	DURA 17	DURA 21	DURA 21T	DURA 25T
Heating Capacity	kW	3,0	6,0	8,5	12,0	17,5	21,0	21,0	25,0
	BTU/h	13500	21000	30000	41000	60000	72000	72000	90000
Heating Power Input	kW	0,8	1,2	1,7	2,4	3,5	4,3	4,2	5,0
Maximum Content	m <sup>3</sup>	13	25	35	50	75	90	90	110
Running Current	A	3,8	5,4	7,7	11,1	15,9	19,5	7,35	8,3
Power Supply	V/Ph/Hz	220-240/1/50	220-240/1/50	220-240/1/50	220-240/1/50	220-240/1/50	220-240/1/50	380/3/50	380/3/50
Compressor Quantity		1	1	1	1	1	1	1	1
Compressor		Rotary	Rotary	Rotary	Rotary	Scroll	Scroll	Scroll	Scroll
Cooling Medium		R407C	R407C	R407C	R407C	R407C	R407C	R407C	R407C
Weight Cooling Medium	Kg	0,4	0,6	0,8	1,1	1,3	1,8	1,8	2,2
Lowpressure Coolingpipe	MPa	1,4	1,4	1,4	1,4	1,4	1,4	1,4	1,4
Highpressure Coolingpipe	MPa	3,1	3,1	3,1	3,1	3,1	3,1	3,1	3,1
Fan Quantity		1	1	1	1	1	1	1	1
Fan Power Input	W	50	50	120	120	120	200	200	200
Fan Rotate Speed	RPM	870	870	850	850	850	830	830	830
Fan Direction		horizontal	horizontal	horizontal	horizontal	horizontal	vertical	vertical	vertical
Noise	dB(A)	47	47	51	54	54	58	58	58
Water Connection	mm	32	32	50	50	50	50	50	50
Water Flow Volume	m <sup>3</sup> /h	1,5	2,2	3,0	4,5	6,0	7,5	7,5	9,0
Water Pressure Drop	kPa	6	8	10	10	10	12	12	12
Main Unit NetDimensions(L/W/H)	mm	770/350/540	770/350/540	1005/370/615	1005/370/615	1115/470/850	720/660/880	720/660/880	720/660/880
Main Unit ShippingDimensions(L/W/H)	mm	910/330/595	910/330/595	1070/405/650	1070/405/650	1200/480/900	760/700/890	760/700/890	760/700/890
Net Weight/ ShippingWeight	kg	30/33	41/48	60/67	66/73	95/105	125/135	125/135	135/145



## GASKETELS - RECHAUFFEURS

Omschr. - Description			Kcal	Order nr.	€
Gas heater NT	200	NATUREL	50000	11071.CE200-FB-N	
Gas heater NT	200	PROPANE	50000	11071.CE200-FB-P	

## WARMTEPOMPEN - POMPES A CHALEUR PENTAIR

Description	KW	BTU's	Order nr.	€
DURA 3	3	13.500	11070.01	
DURA 6	6	21.000	11070.02	
DURA 9	8,5	30.000	11070.03	
DURA 12	12	41.000	11070.04	
DURA 17	17	60.000	11070.05	
DURA 21	21	72.000	11070.06	
DURA 21T	21tri	72.000	11070.07	
DURA 25T	25tri	90.000	11070.08	

## WARMTEPOMPEN "PSA" - POMPES A CHALEUR "PSA"

Description	Pool/pisc. M <sup>3</sup> met afd./avec cuv.	Volume max	kw	Order nr.	€
EUROPAC "plus" mono	7 - 8 m x 3,5 m	45 m <sup>3</sup>	8 kw	11078.EURO01	
EDENPAC 2 mono	8 - 9 m x 4 m	45-70 m <sup>3</sup>	10 kw	11078.EDEN2	
EDENPAC 3 mono	9 - 10 m x 4 - 5 m	60-85 m <sup>3</sup>	12 kw	11078.EDEN3	
EDENPAC 4 mono	10 m x 5 m	75-110 m <sup>3</sup>	15 kw	11078.EDEN4	
EDENPAC 6 tri	11 - 12 m x 6 m	110-160 m <sup>3</sup>	21 kw	11078.EDEN6	
OPTIPAC 15 tri	13,5 m x 6,5 m	af te stemmen	45 kw	11078.OPTI15	



WARMTEWISSELAARS NAAKT "BEHNCKE" - ECHANGEURS NU "BEHNCKE"



WARMTEWISSELAARS NAAKT "PSA" - ECHANGEURS NU "PSA"



WARMTEWISSELAARS COMPLEET "BEHNCKE"



WARMTEWISSELAARS COMPLEET "PSA" - VERSIE IN CABINET, STD & DIGITAAL

## WARMTEWISSELAARS - ECHANGEURS

### WARMTEWISSELAARS NAAKT "BEHNCKE" - ECHANGEURS NU "BEHNCKE"

Description	kW 90°/60°	Pool	Kcal bij/a 90°	Matr.	Order n r.	€
QWT 20	20 / 13	50m³/30m³	17.000	INOX	11074.QWT020-I	
QWT 40	40 / 28	90m³/70m³	34.400	INOX	11074.QWT040-I	
QWT 70	70 / 31	120m³/90m³	60.200	INOX	11074.QWT070-I	
QWT 104	104 / 55	180m³/95m³	89.440	INOX	11074.QWT104-I	

### WARMTEWISSELAARS NAAKT "PSA" - ECHANGEURS NU "PSA"

Description	Pool	kW	Matr.	Order nr.	€
ECN 20	50m³	20	INOX	11074.ECN020-I	
ECN 40	120m³	40	INOX	11074.ECN040-I	
ECN 70	200m³	70	INOX	11074.ECN070-I	
ECN 20	50m³	20	TITANIUM	11074.ECN020-TI	
ECN 40	120m³	40	TITANIUM	11074.ECN040-TI	
ECN 70	200m³	70	TITANIUM	11074.ECN070-TI	

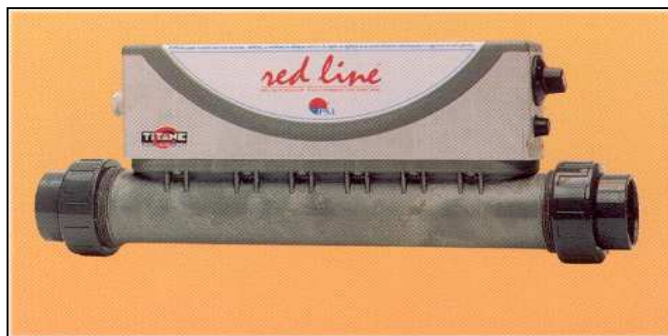
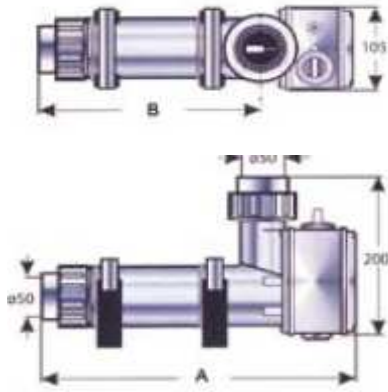
## WARMTEWISSELAARS COMPLEET - ECHANGEURS COMPLETS

### WARMTEWISSELAARS COMPLEET "BEHNCKE" ECHANGEURS COMPLET "BENCHKE"

Description	Pool	kW 90°/60°	Matr.	Order nr.	€
QWT 40	90m³/70m³	40 / 28	INOX	11076.QWT040-I	

### WARMTEWISSELAARS COMPLEET "PSA" - VERSIE IN CABINET, STD & DIGITAAL ECHANGEURS COMPLET "PSA" - VERSION EN COFFRE, STD & DIGITAL

Description	Pool	kW	Matr.	Order nr.	€
ECK 40 STD	100m³	40	TITANIUM	11076.ECK040-TI	
ECC 40 DIGITAAL	100m³	40	TITANIUM	11076.ECC040-TI	



ELECTRISCHE VERWARMING COMPLEET IN TITANIUM



ELECTRISCHE VERWARMING COMPLEET IN TITANIUM - VERSIE IN CABINET



1.



3.



4.- 5.

2.

## ELECTRISCHE VERWARMING - CHAUFFAGE ELECTRIQUE

### ELECTRISCHE VERWARMING COMPLEET IN TITANIUM - CHAUFFAGE ELECTR. COMPLETE EN TITANE

Description	Max. m3	kW	220/380	Order nr.	€
3 TI	20M3	3	Mono/Tri	11073HEAT03	
6 TI	40M3	6	Mono/Tri	11073HEAT06	
9 TI	50M3	9	Tri	11073HEAT09	
12 TI	60M3	12	Tri	11073HEAT12	
15 TI	80M3	15	Tri	11073HEAT15	
18 TI	100M3	18	Tri	11073HEAT18	

### ELECTRISCHE VERWARMING COMPLEET IN TITANIUM - CHAUFFAGE ELECTR. COMPLETE EN TITANE

Description	Max. m3	kW	220/380	Order nr.	€
REH 3 TI	20M3	3	Mono	11073RDE03	
REH 6 TI	40M3	6	Tri	11073RDE06	
REH 9 TI	60M3	9	Tri	11073RDE09	
REH 12 TI	80M3	12	Tri	11073RDE12	

### ELECTRISCHE VERWARMING COMPLEET IN TITANIUM - VERSIE IN CABINET CHAUFFAGE ELECTRIQUE COMPLETE EN TITANE - VERSION EN COFFRET

Description	Max. m3	kW	220/380	Order nr.	€
REHC 3 TI	20M3	14	Mono	11073RDC03	
REHC 6 TI	40M3	10	Tri	11073RDC06	
REHC 9 TI	60M3	14	Tri	11073RDC09	
REHC 12 TI	80M3	20	Tri	11073RDC12	

## TOEBEHOREN - ACCESSOIRES

### TOEBEHOREN - ACCESSOIRES

Description	nr.	Order nr.	€
Flow switch Sécurité de manque d'eau	1	11077.ACC7	
Aquastat 0-40° Aquastat 0-40°	2	11077.ACC2	
Aquastat digitaal 0-40° Aquastat digital 0-40°	3	11077 .ACC3	
Beugels warmtew. 20-40 Anneau fix. Echang. 20-40	4	11077.ACC4	
Beugels warmtew. 70-104 Anneau fix. Echang. 70-104	5	11077.ACC5	